

Fixed Temperature Heat Detector

DESCRIPTION

These detectors incorporated a self-resetting bi-metallic disk element with response indicator. They activate whenever the ambient air temperature reaches the top temperature detector setting (various settings available)

ADVANTAGES

- Mechanical operating heat sensor – for reliability.
- Universal base – for interchangeability (only CD series) Suitable for 2IC, 2KH2, NFD-68-P and 2SC.
- Response indicator lights up to show which detector has activated.
- Ease of installation and wiring connection – reduces installation costs.
- Connections are non-polarised – reduces wiring mistakes.
- Wide working voltage available to suit most control panels.
- Self-resetting and requires no replacement of internal elements – reduces maintenance costs.



CC1 Series



CD Series

SPECIFICATION

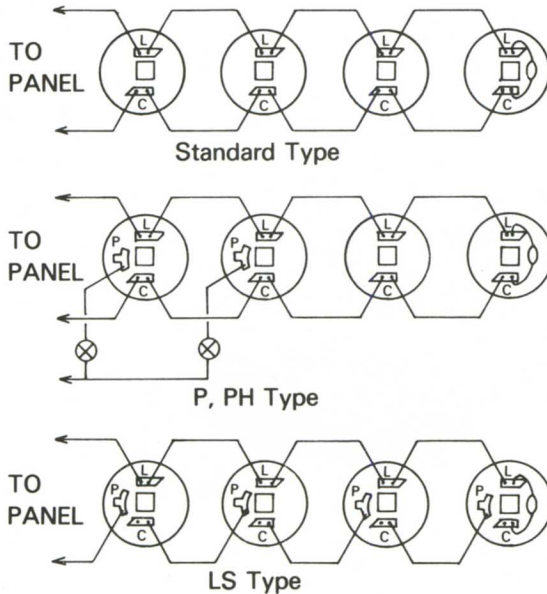
- Alarm Rating:
30V DC 50mA max
- Fixed Temperature:
60°C, 70°C, 80°C
- Sensitivity:
When exposed within an air stream 1m/sec, 125% higher than it's operating temp, and at 20°C of ambient temperature.

Approximately 107 seconds for standard and 33.60 seconds for high.

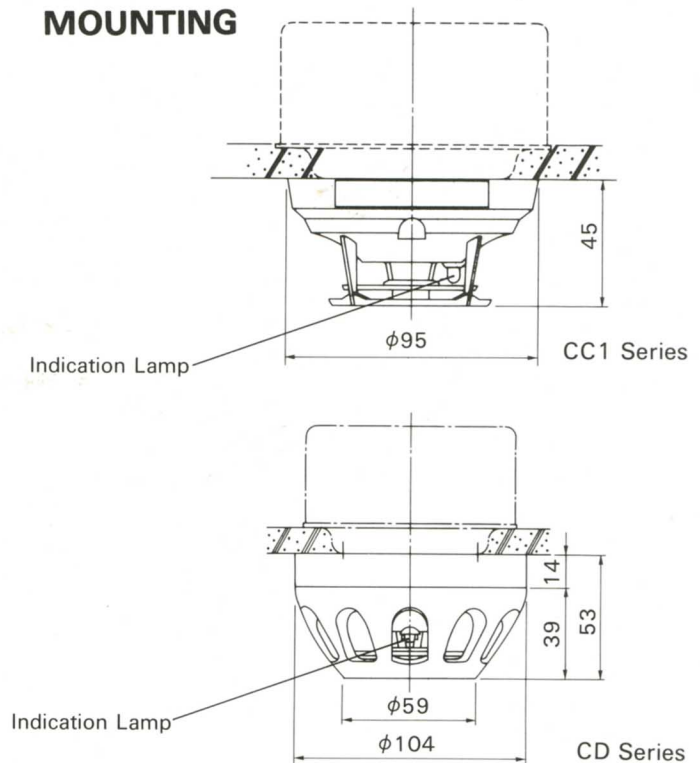
- Dimensions:
See mounting information.

- Mass:
CC1 series 0.07kg
CD series Head 0.08kg
Base 0.05kg

WIRING INFORMATION



MOUNTING



ORDERING INFORMATION

Model Number	Fixed Temperature	Sensitivity	Type of Use	Type of Terminal	Remote Indicator Terminal
TCC-60-L	60°C	High	Normal	Screw	—
ICCI-70-L	70°C	Standard	Normal	Screw	—
ICCI-80-L	80°C	Standard	Normal	Screw	—
TCC-60-LW	60°C	High	Water Proof	Lead Wire	—
ICCI-70-LW	70°C	Standard	Water Proof	Lead Wire	—
TCC-60-PHW	60°C	High	Water Proof	Lead Wire	Provided
ICCI-70-PHW	70°C	Standard	Water Proof	Lead Wire	Provided
TCD-60-L	60°C	High	Normal	Screw	—
ICD-70-L	70°C	Standard	Normal	Screw	—
ICD-80-L	80°C	Standard	Normal	Screw	—
TCD-60-PH	60°C	High	Normal	Screw	Provided
ICD-70-PH	70°C	Standard	Normal	Screw	Provided

*Also available to supply models "Head Removal Signal" which are put suffix-LS instead of L (ex. ICD-70-LS)

NITAN COMPANY, LIMITED

11-6,1-Chome, Hatagaya, Shibuya-ku, Tokyo 151-8535 Japan
Tel:81-3-3468-1127 Fax:81-3-3468-1129

NITAN (UK) LTD.

Hipley Street, Old Woking, Surrey, England
Tel:1483-769555 Fax:1483-756686

DISTRIBUTOR