

■ Specifications

| | |
|--|--|
| Conventional fire alarm control panel (alarm delay type) | |
| Power supply | AC220V±10% 50/60Hz |
| Standby battery | DC24V 0.45Ah Ni-cd battery |
| Power consumption | 44VA |
| Alarm delay time | 60 second (heat detector: 20 second, smoke detector: 60 second) |
| Display | digital indicator At alarm: 1st fire alarm zone At fault: error code At configuration mode: set contents and corresponding zone At system test and battery test: voltage of standby battery |
| | LED Fire indicator, AC power indicator, Normal indicator, Switch operation indicator Telephone indicator, Maintenance indicator, Zone alarm silence indicator Alarm delay indicator, System trouble indicator, Emergency PA indicator Manual alarm station indicator, Hydrant operation indicator, Other alarm indicator 7 segment indicator, Zone alarm indicator Status is indicated by lighting, flickering and off |
| Function | Monitoring of line break and short circuit at detector line (monitoring short circuit is configurable) Monitoring of line break at other alarm indication (configurable) Monitoring of line break and short circuit at emergency PA (configurable) System test : fire detection circuit test, LED indicators test, measuring and indication of standby battery voltage Maintenance mode : A mode: zone alarm bell sounds 0.2 second by smoke or heat test. B mode: all alarms are silenced except telephone calling sound. |
| | External wire resistance Below 50 ohm |
| End-of-line device | CRE (Nittan product) |
| Panel alarm | Electronic buzzer, re-sounding system |
| Trouble alarm | When error code is displayed |
| Signal transfer | Fire alarm transfer : F-F (normally open contact, DC24V 1A) Transfer to disaster report receiver : GA-GB-GC (transfer contact, DC24V 1A) Detector reset pulse transfer : N-N (normally closed contact, DC24V 1A) Emergency PA 2nd alarm transfer : EF2 (normally open contact, DC24V 1A) Bell block transfer : EC EF1 EF2 FB1~FB15 EB EB' (normally open contact, DC24V 1A, one side common FB1~FB15 are standard equipment of 15zones panel and above In case of 5LA and 10LA, bell block number equal to zone number) Hydrant pump operation : H-H (normally open contact, DC24V 1A) |
| | Alarm Bell DC24V |
| Indicator light | AC25V 0.4A |
| Detectors | Smoke (2KH2-LS, etc.) : max.40 units/zone Less than 20 units x zone numbers in total Smoke (2KN2-P, 2KW-P) : max.20 units/zone Less than 20 units x zone numbers in total Heat : as required |
| | Manual alarm station 1MF1 1M1 1MG1 |
| Annunciator | 1 unit PSH type |
| Zone name sheet | 19x41mm |
| Ambient temperature | 0~+40°C |
| Material | Cabinet and door : SECC t1.2 Operation panel: fire retardant resin |
| Colour | Cabinet and door : Nittouko A22-90B medium gloss Operation panel: warm gray |
| Option | Expansion signal transfer unit: non voltage normally open contact or normally closed contact (selectable) x 2 points |

■ Specifications

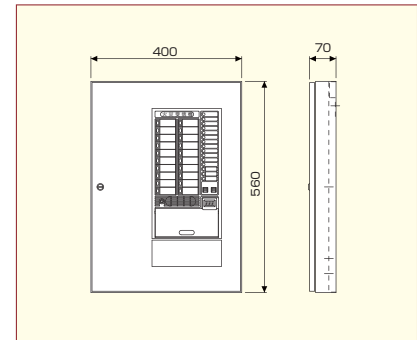
| | | | | |
|--------------------------------|---------------|----|----|----|
| | 1PN1-nLA | | | |
| Number of zones | 5 | 10 | 15 | 20 |
| Number of bells (10mA) | 10 | | 20 | |
| Number of bell blocks | 5 | 10 | | 15 |
| Primary rated current (AC220V) | 0.18A | | | |
| Cabinet size | W400×H560×D70 | | | |
| Weight | 9.3kg | | | |

■ Products list

| | 製品記号 |
|--------------------------------|-----------------|
| Fire alarm control panel | 1PN1-5LA |
| | 1PN1-10LA |
| | 1PN1-15LA |
| | 1PN1-20LA |
| Expansion signal transfer unit | POISA |
| Metal mounting | 1PNO-(5-20L)-10 |
| Decorative frame | 1PNO-(5-20L)-22 |
| Recessed mounting box | 1PNO-(5-20L)-03 |

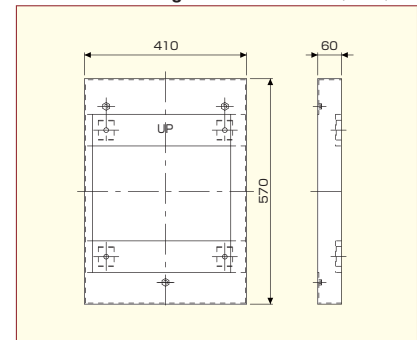
■ FACP

1PN1-20LA



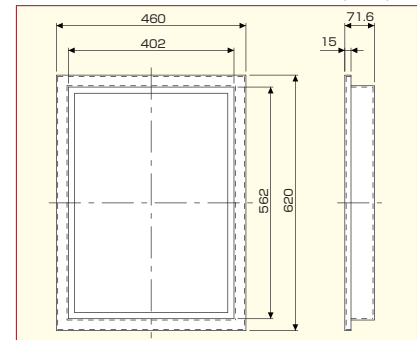
■ Metal mounting

1PNO-(5-20L)-10



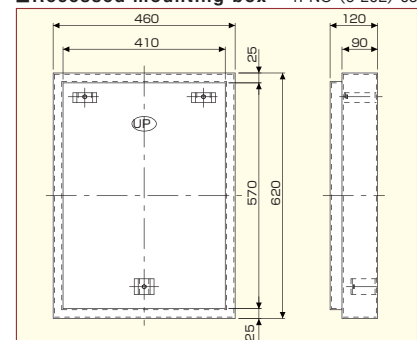
■ Decorative frame

1PNO-(5-20L)-22



■ Recessed mounting box

1PNO-(5-20L)-03



NITTAN

CATALOGUE No.
FA6003

AUTOMATIC FIRE ALARM SYSTEM

Conventional Fire Alarm Control Panel



Self-diagnostic function
Total cost reduction
Compact, lightweight body

FOR YOUR SAFETY Read manual carefully before using

This document may be subject to change without any prior notice

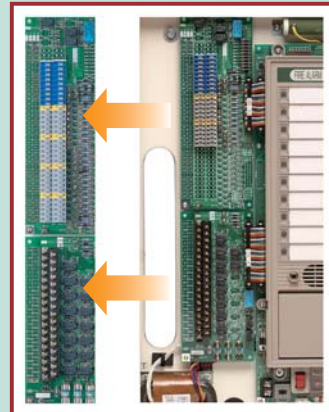
DISTRIBUTOR

NITTAN COMPANY, LIMITED

1-11-6, Hatagaya, Shibuya-ku, Tokyo 151-8535, Japan
Tel: 81-3-3468-1127 Fax: 81-3-3468-1129
E-mail Address: nkint@nittan.com

Nittan new conventional fire alarm control panel, model 1PN1 is designed to reduce total cost of installation and maintenance work.

Easy installation



External terminals

Wiring connection

External line terminals board can be removed and put back in place after wiring connection.



Dip switch

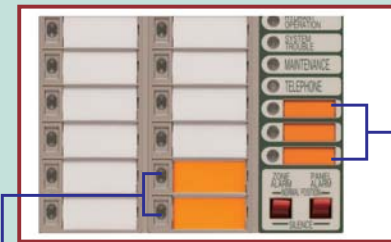
Dipswitch setting

1. Free circuit handling switch

Fire alarm zone and other alarm zone can be set one by one. A end of line device (CRE) is not necessary.

2. Choice of function

Various monitoring function can be switched on and off respectively.



Other alarm zone Alarm indicators

Other alarm zone can be increased.

3 other alarm indicators (LED) is available. By operating switch inside the panel, fire alarm zone can be changed into other alarm zone.

Easy maintenance

Maintenance mode switch

Maintenance mode A (zone alarm bell sounds 0.2 second) or B (all alarm silenced except telephone calling sound) can be selected.

Self-diagnosis function

Self-diagnosis is carried out automatically in every 7 days to test zone circuits, various indicator operation, a standby battery, various interlocking data. Trouble condition is indicated on 7 segment indicator.

System Test

By operating a system test switch, zone circuit, other indicator circuit operation, indicator light, standby battery, various interlocking data are tested. Trouble condition is indicated on 7 segment indicator.



Maintenance switch

Remote test function

With remote station such as LP01, dual optical smoke detector model 2KW-P, can be tested remotely by the test unit model MTG.

* 2KN2-P with sensitivity correction function against dust can also be tested remotely.

* 2KW-P and 2KN2-P have self-diagnosis function and can be monitored by the test unit.

* These detectors can be mixed in a zone with 2KH2-LS, 2SC-LS and others.



Dual optical smoke detector 2KW-P

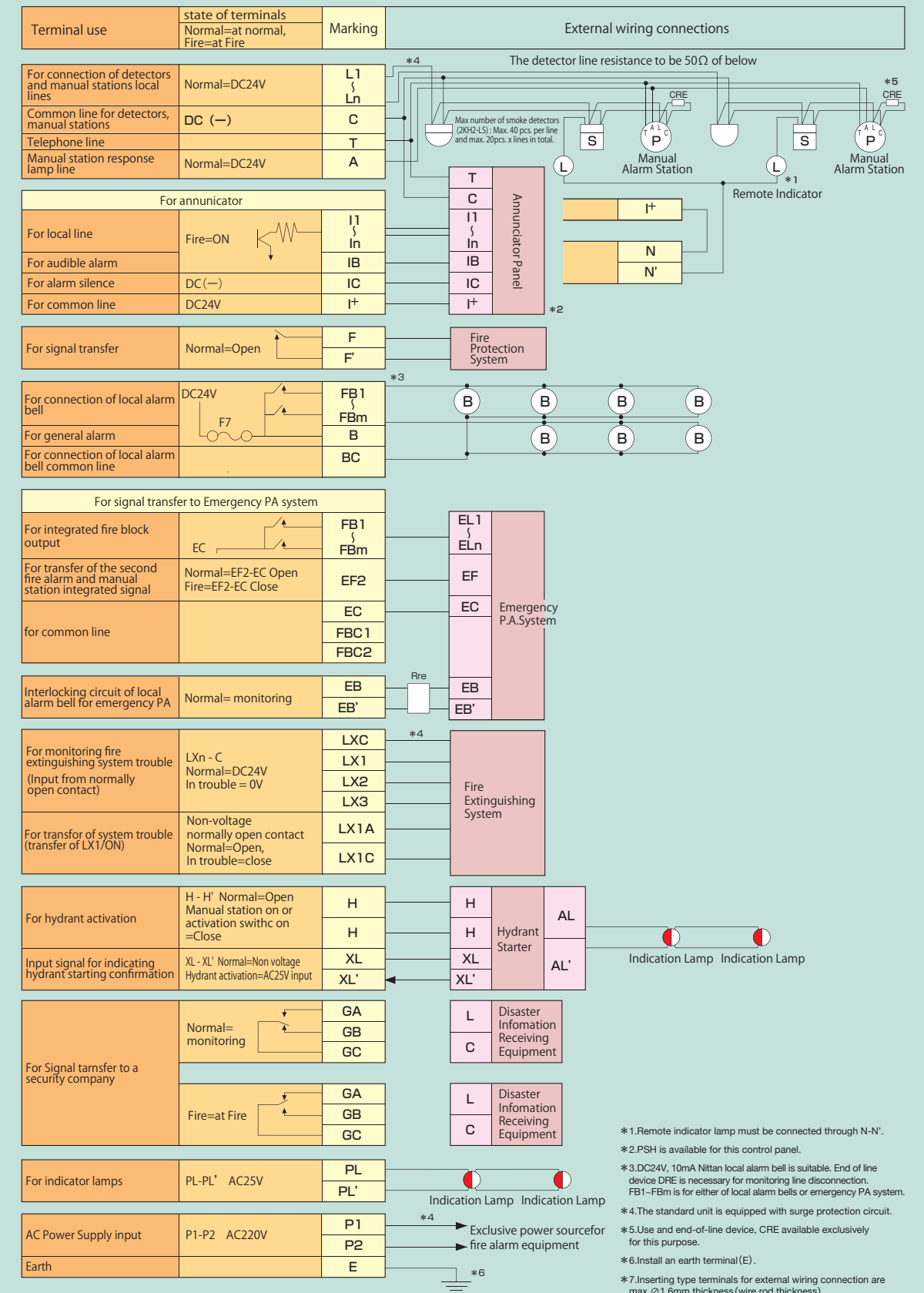
eliminate false alarm from steam

360° omniview



Operating panel

System configuration and external wiring connections (Fire Alarm Control panel-Model 1PN1)



*1.Remote indicator lamp must be connected through N-N'.
 *2.PSH is available for this control panel.
 *3.DC24V, 10mA Nittan local alarm bell is suitable. End of line device DRE is necessary for monitoring line disconnection. FB1-FBm is for either of local alarm bells or emergency PA system.
 *4.The standard unit is equipped with surge protection circuit.
 *5.Use end-of-line device, CRE available exclusively for this purpose.
 *6.Install an earth terminal(E).
 *7.Inserting type terminals for external wiring connection are max.φ1.8mm thickness (wire rod thickness).