

Photoelectric Type Smoke Detector

DESCRIPTION

The Model 2KH2 Photoelectric Smoke Detector is of a low profile styling and employs state of the arts SURFACE MOUNT TECHNOLOGY. The principle and functions of the 2KH2 have been widely accepted in the world wide market for a long time. Because of the low profile styling, it is most suitable for such modern buildings as employed in the design of decorative smooth ceilings.

ADVANTAGES

1. Low profile designing for visual concealment.
2. Effective screen for insects and dust particles.
3. Effective smoke inflow characteristics.
4. Wind and atmosphere variations have no influence.
5. No polarity allows simple wiring connection.
6. Wide working voltage of 14.5V~30V DC is designed to suit most panels.
7. Ease of access makes maintenance cleaning more economical. (Outer cover and detection chamber are removable)
8. Universal base—Interchangeable with IA/SA/CD series, 2VA-P, NFD-18-2 reducing storage and installation costs.

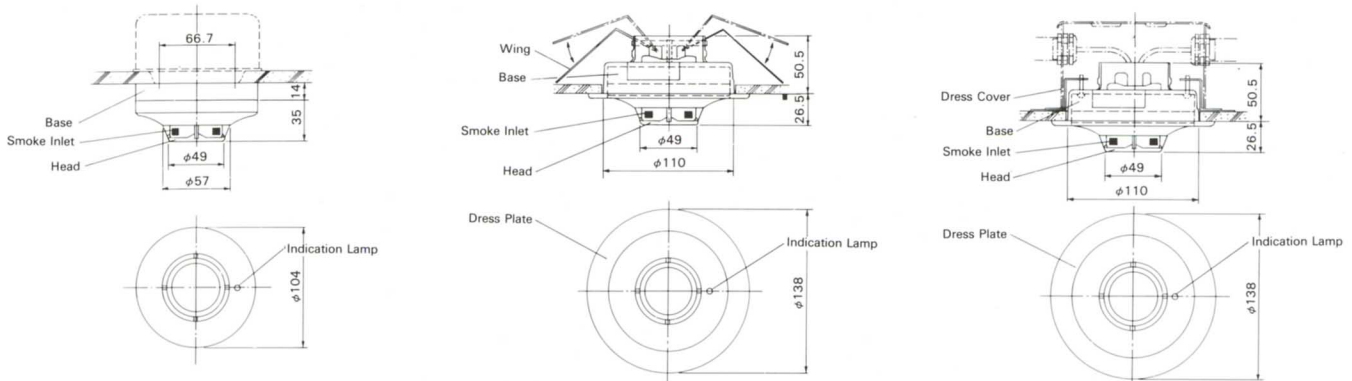


SPECIFICATION

Voltage Rating: 24V DC filtered or unfiltered
 Operating Voltage: 14.5V to 30V DC
 Operating Current
 Supervising: 24 micro amps. (max.)
 Alarm: 65 milli amps.
 Initial Start Up Current: Max 100 micro amps.
 (When 24V DC is applied)

Initial Stabilizing Time: 20 seconds.
 Ambient Temperature: -10°C ~ +50°C
 Ambient Humidity: 98% (at +60°C)
 Body Case: Polycarbonate type withstands impact and heat to a high degree.
 Weight: Head 120g. Base 50g.

MOUNTING



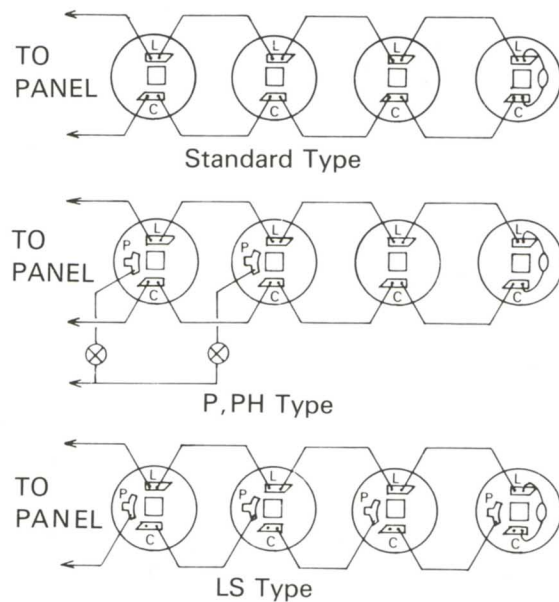
VARIATION

2KH2-LS: has the function of head removal signal.
 2KH2-P: has additional P-terminal to be connected to remote lamp.
 3KH2: has lower sensitivity and is used to operate dampers, door ejectors and etc.

ORDERING INFORMATION

"See Variation"

WIRING INFORMATION



NITTAN COMPANY, LIMITED

11-6, 1-Chome, Hatagaya, Shibuya-ku, Tokyo 151, Japan
 Tel: 03(3468)1127 Telex: 2422333 (NITCOL J) Fax: 03(3468)1129

NITTAN (UK) LTD.

Hiple Street, Old Woking, Surrey, England
 Tel: 0483-769555 Telex: 859547 (NITTAN G) Fax: 0483-756686

DISTRIBUTOR