

Rate of Rise Heat Detector

DESCRIPTION

The rate-of-rise heat detector, Model SC series, is designed to sense the rapid or abnormal rise in temperature of air. If ambient temperature rises rapidly, the air in chamber expands, and the air in chamber cannot escape. But a slow rise of temperature allows the air to escape through a calibrated bleed hole, therefore, giving advanced warning of excessive heat build up.

ADVANTAGES

- High quality components are fitted for greater reliability.
- Universal base for interchangeability with 2IC, 2KH2, NFD-68 and CD reducing cost of stocks.
- Indication lamp lights when detector is activated.
- The sensing chamber is electrically insulated.
- Self-resetting and requires no replacement of internal elements — reduces maintenance costs.



SPECIFICATION

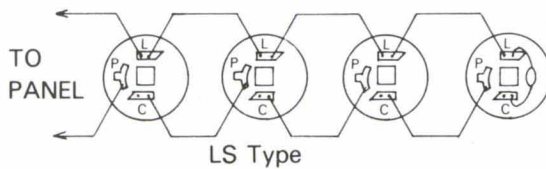
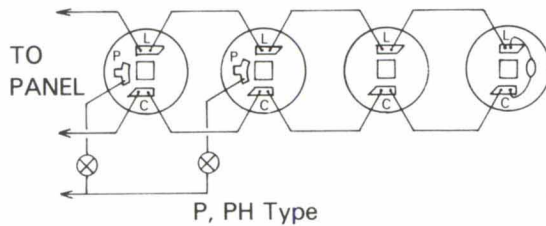
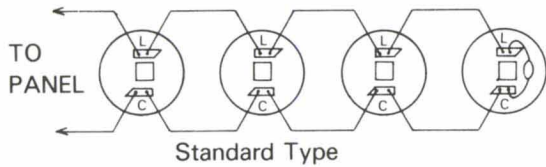
- Rated Voltage and Current in Operation: 30 Volts, 50 milli amps.
- Sensitivity When Exposed in Air-Stream of 0.85 m/sec. and 30°C higher than ambient temperature: 15 sec. (nominal).
- Ambient Temperature: -10°C to +50°C.
- * Mass: Head 0.11kg. Base 0.05kg

VARIATION

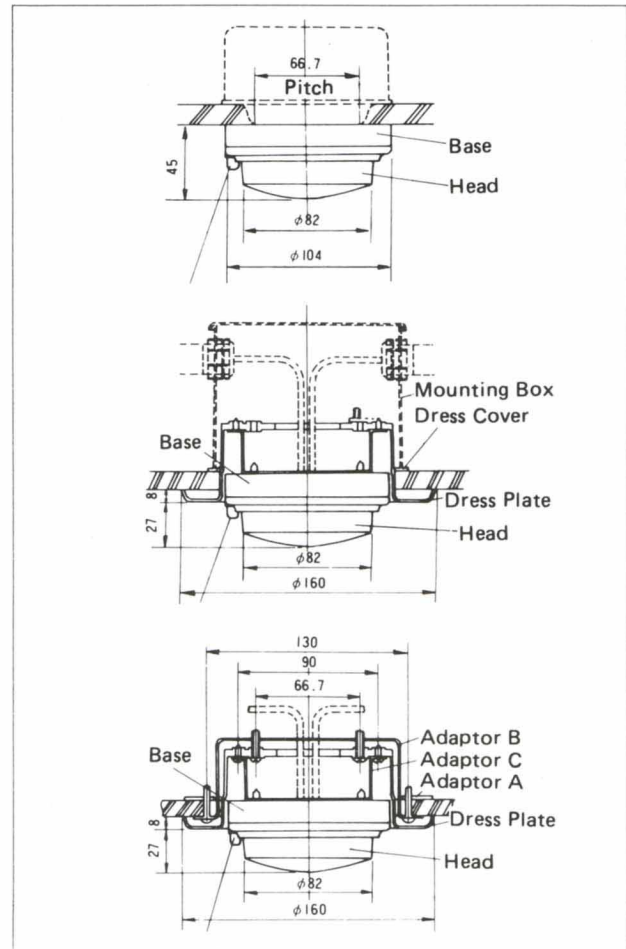
1SC-LS: Has a head removable sign contact.
2SC-LS

1SC-PH: Has additional P+ terminal to be connected
2SC-PH to remote indicator and etc.

WIRING INFORMATION



MOUNTING



ORDERING INFORMATION

Model Number	Sensitivity	Terminal	Remote Indicator Terminal
1SC-L	High	Screw	—
2SC-L	Ordinary	Screw	—
1SC-LS	High	Screw	—
2SC-LS	Ordinary	Screw	—
1SC-PH	High	Screw	Provided
2SC-PH	Ordinary	Screw	Provided

NITTAN COMPANY, LIMITED

11-6,1-Chome, Hatagaya, Shibuya-ku, Tokyo 151-8535 Japan
Tel:81-3-3468-1127 Fax:81-3-3468-1129

NITTAN (UK) LTD.

Hiple Street, Old Woking, Surrey, England
Tel:1483-769555 Fax:1483-756686

DISTRIBUTOR